

Installation Instructions

PowerSource

The Door Chime require AC 220~240V, 50Hz power source. (See Fig. 1)

Precaution

Please install this equipment in accordance to the IEE wiring regulation.

Please ensure the AC power source is switched off from mains supply before installation.

Installation of the Door Chime

1. Insert the end of a screwdriver to the slot on the top of cover, then gently pry loose the cover from the main unit. (See Fig. 2)
2. Thread the wire/ cable from the AC source through the holes on the back of the main unit.

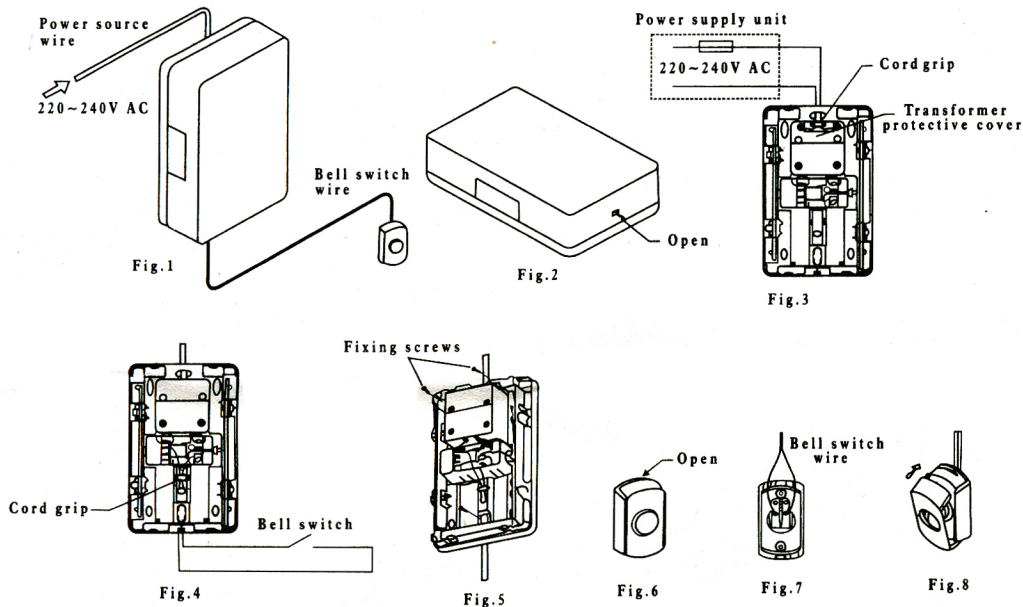
Note : The AC source should be supplied through a 5A fused connection unit.

3. Loosen the transformer protective cover before connecting the input power line. (See Fig. 3)
4. Connect the ends of power supply wire through the cord grip to the terminals marked "L" & "N" of the transformer.
5. Replace the transformer protective cover.
6. Connect the ends of the bell switch wire (if provided) to the wiring terminals marked with "0" & "2" through the cord grip and the hole on the back of main unit. (See Fig. 4)
7. Tighten cord grips to secure the wires.
8. Drill 3 holes by placing the template, which is printed on the back of the insert card, to the desired location on the wall. Ensure hole centers align vertically. Insert the fixing screws into mounting holes and tightly secure the screws with a screwdriver. (See Fig.5)
9. Replace the cover of the chime.

Installation of the Bell Switch (If included)

1. Insert the end of a screwdriver into the slot on the top of the bell switch, then gently pry loose the bell switch cover. (See Fig. 6)
2. Route the bell switch wire from the door chime to bell switch.
3. Loosen the bell switch screw terminals with a screwdriver. (See Fig. 7)
4. Wrap the bare ends of the bell switch wire around the screws and secure the screws with the screwdriver, make sure the bare ends of the wire are fully captive by the screws
5. Mount the bell switch unit on the wall or doorframe with supplied screws.
6. Press the bell switch cover to the bell switch. (See Fig. 8)

THE DOOR CHIME IS NOW READY TO USE



- Remark : 1) The supply wire can be either a rigid conductor or a flexible cable and the cross section area must not less than 0.5mm² with 250Vac rating.
2) The AC source should be supplied through a 5A fused connection unit.
3) The supply wire is recommended to be crimp ended with ferrules before wiring to door chime.
4) It is recommended to install the door chime by qualify electrician.
5) All wiring should be made in accordance to IEE regulation.
6) The door chime is for indoor use only.